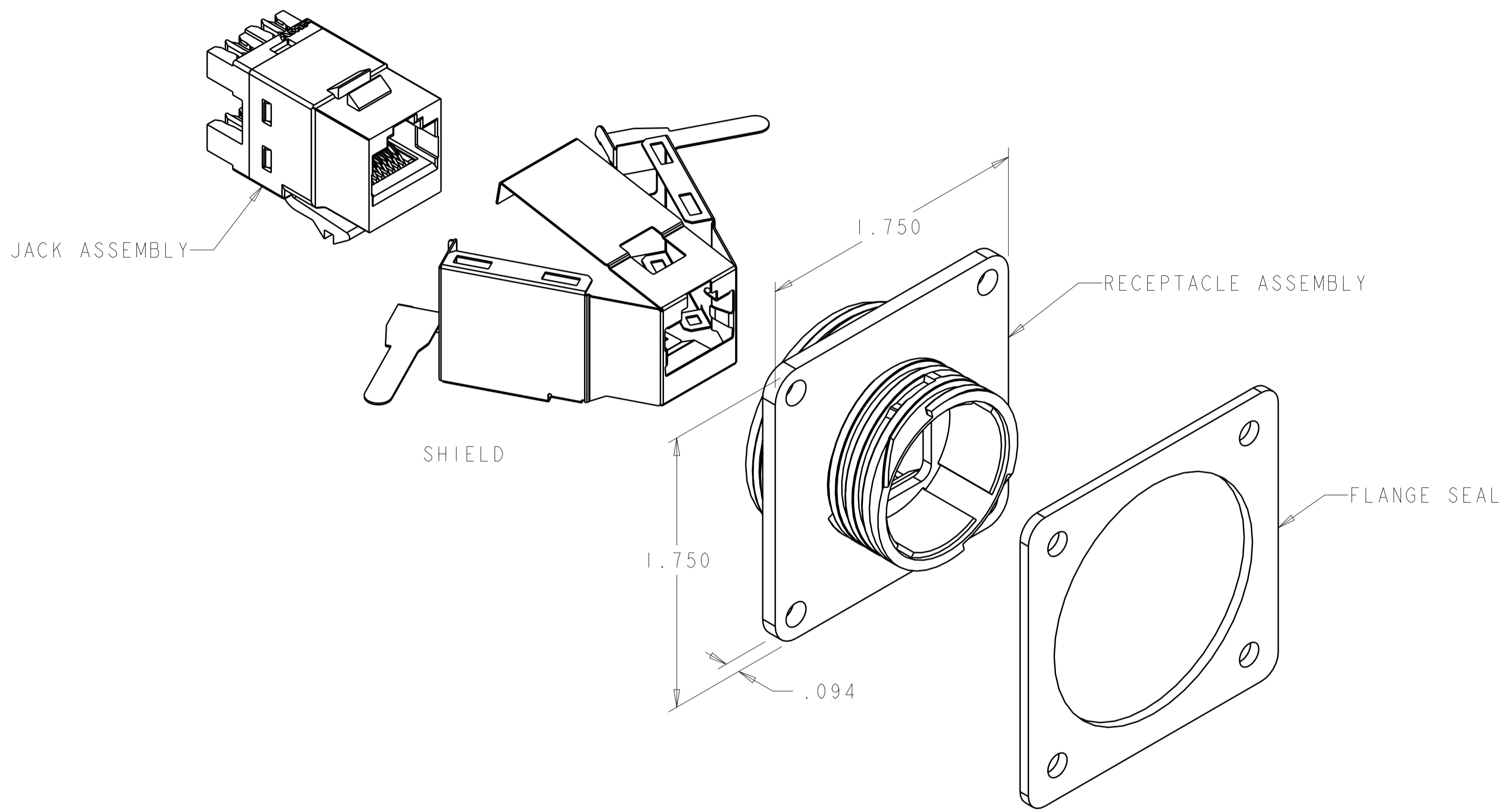


THIS DRAWING IS UNPUBLISHED. RELEASED FOR PUBLICATION 20
 © COPYRIGHT 20 BY TYCO ELECTRONICS CORPORATION. ALL RIGHTS RESERVED.

LOC	DIST	REVISIONS			
P	LTR	DESCRIPTION	DATE	DWN	APVD
	A	REVISED EC 063B-0222-04	11MAR2004	SW	HW
	AI	REVISED ECO-07-022509	25SEP2007	SW	MS



1546908-1
 PART NUMBER

<small>THIS DRAWING IS A CONTROLLED DOCUMENT FOR TYCO ELECTRONICS CORPORATION. IT IS SUBJECT TO CHANGE AND THE CONTROLLING ENGINEERING ORGANIZATION SHOULD BE CONTACTED FOR THE LATEST REVISION.</small>		DWN S. WELDON 11MAR2004 CHK H. WAKEEM 11MAR2004 APVD H. WAKEEM 11MAR2004	tyco Electronics Tyco Electronics Harrisburg, PA 17105-3608
DIMENSIONS: INCHES 	TOLERANCES UNLESS OTHERWISE SPECIFIED: 0 PLC ± 1 PLC ±0.0 2 PLC ±0.00 3 PLC ±0.015 4 PLC ±0.0000 ANGLES ± FINISH	PRODUCT SPEC APPLICATION SPEC WEIGHT CUSTOMER DRAWING	NAME RECEPTACLE KIT, UNASSEMBLED, SHIELDED, CPC INDUSTRIAL ETHERNET SIZE A2 CAGE CODE 00779 DRAWING NO. 1546908 RESTRICTED TO SCALE 2:1 SHEET 1 OF 1 REV AI